

THIS DRAWING IS UNPUBLISHED.

RELEASED FOR PUBLICATION

,19

© COPYRIGHT 19

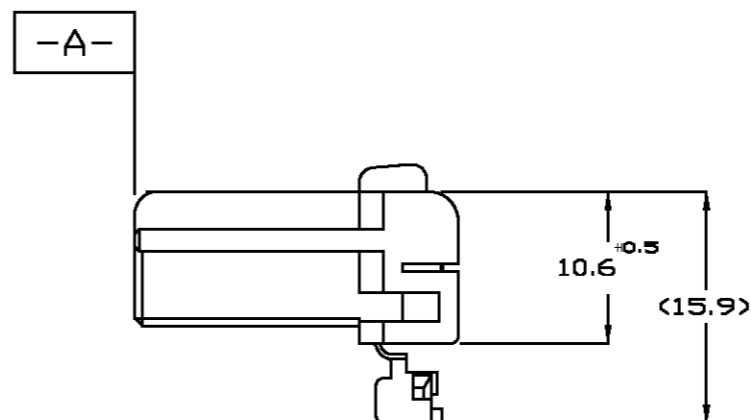
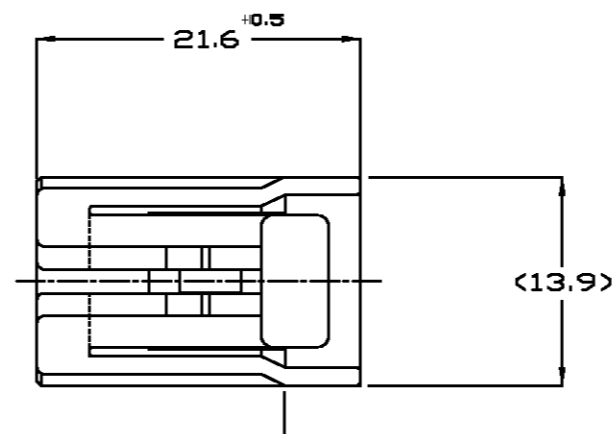
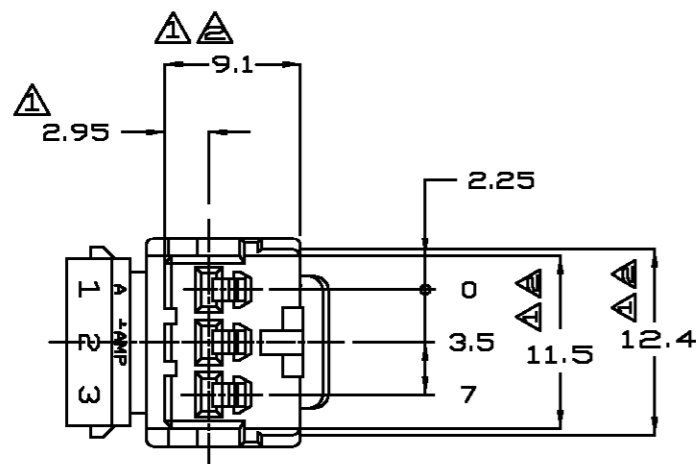
BY AMP INCORPORATED. ALL RIGHTS RESERVED.

LDC DS

DIST

REVISIONS

P	LTR	DESCRIPTION	DATE	DWN	APVD
	□	RELEASED(RD98-146)	01/JUN/'98	HS	CS
	A	REVISED(FC00-0036-01)	28/MAR/'01	MS	CS



NOTES

1. TO BE MEASURED BETWEEN A AND 2mm.
2. TO BE MATE WITH CAP HSG SMOOTHLY.
3. APPLIED CONTACT P/N : 173630 & 173631.
4. APPLIED TAB HSG P/N : 368503.

P/N	DESCRIPTION	MATERIAL	COLOR
0-368500-2	.070 MLC PLUG HSG 3POS	P.B.T	BLACK M/B : 704774-2
0-368500-1	.070 MLC PLUG HSG 3POS	P.B.T	NATURAL

THIS DRAWING IS A CONTROLLED DOCUMENT FOR AMP INCORPORATED. IT IS SUBJECT TO CHANGE AND THE CONTROLLING ENGINEERING ORGANIZATION SHOULD BE CONTACTED FOR THE LATEST REVISION.

DWN MS HER

CHK BM JANG

APVD CS LEE

PRODUCT SPEC

APPLICATION SPEC

WEIGHT

DIMENSIONS: MM

TOLERANCES UNLESS OTHERWISE SPECIFIED:

- 0 <XX<10 ± 0.2
- 10<XX<30 ± 0.25
- 30<XX ± 0.3
- ANGLES ± 3°

3rd ANGLE PROJECTION

MATERIAL

SEE TABLE

FINISH

**AMP**

AMP KOREA.  
kyungsan, korea

NAME

.070 MLC PLUG HSG 3POS

SIZE

CAGE CODE

DRAWING NO

A3

-----

C-

368500

SCALE 2/1

SHEET 1 OF 1

REV A